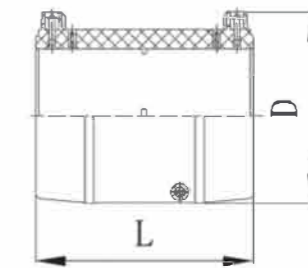




Product Catalog	Electro Fusion Coupler	→ Page 2
	Electro Fusion Elbow	→ Page 4
	Electro Fusion Reducer	→ Page 6
	Electro Fusion Tee	→ Page 7
	Electro Fusion Tapping Tee	→ Page 10
	Small Electro Fusion Branch Saddle	→ Page 11
	Large Electro Fusion Branch Saddle	→ Page 12
	Under Pressure Drilling Electro Fusion Saddle	→ Page 13
	Female and Male Adaptor	→ Page 14



Материалы: PE100 PE100RC

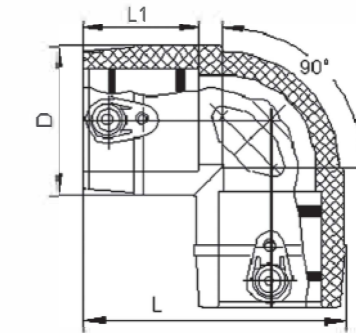
Стандарты: ISO4437-3 ISO4427-3 EN12201-3 ISO22391-3

Артикул	Размер (mm)	SDR	Pcs/Box	L	D
EFCL20A	20	11	350	79	32
EFCL25A	25	11	300	80	37
EFCL32A	32	11	315	79	43
EFCL40A	40	11	220	86	52
EFCL50A	50	11	100	95	64
EFCL63A	63	11	70	109	79
EFCL90A	90	11	36	125	111
EFCL110A	110	11	18	142	136
EFCL125A	125	11	10	145	152
EFCL140A	140	11	8	176	176
EFCL160A/B	160	11/17	6	178/173	195/190
EFCL180A	180	11	4	209	226
EFCL200A/B	200	11/17	4	203/200	244/227
EFCL225A/B	225	11/17	2	198/202	276/258
EFCL250A/B	250	11/17	2	217/285	307/285
EFCL280A	280	11	1	225	341
EFCL315A/B	315	11/17	1	232/234	378/359
EFCL355A/B	355	11/17	1	253/258	433/401
EFCL400A/B	400	11/17	1	295/284	482/452



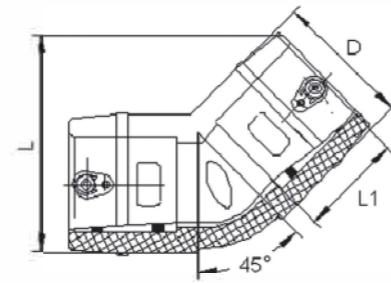
Материалы : PE100
Стандарты: ISO4427-3 EN12201-3

Артикул	Размер (mm)	SDR	Pcs/Package	L	D
EFCL450A/B	450	11/17	20	313/313	553/512
EFCL500A/B	500	11/17	20	343/343	614/571
EFCL560A/B	560	11/17	10	379/379	687/637
EFCL630A/B	630	11/17	8	421/421	773/718
EFCL710A/B	710	11/17	8	445/445	845/809
EFCL800A/B	800	11/17	4	493/463	978/910
EFCL900A/B	900	11/17	4	490/490	1105/1024
EFCL1000A/B	1000	11/17	4	490/490	1228/1137
EFCL1100A/B	1100	11/17	4	500/500	1307/1307
EFCL1200A/B	1200	11/17	4	636/500	1474/1365
EFCL1400B/C	1400	17/21	/	/	/
EFCL1600B/C	1600	17/21	/	/	/
EFCL1800C/D	1800	21/26	/	/	/
EFCL2000C/D	2000	21/26	/	/	/
EFCL2250C/D	2250	21/26	/	/	/



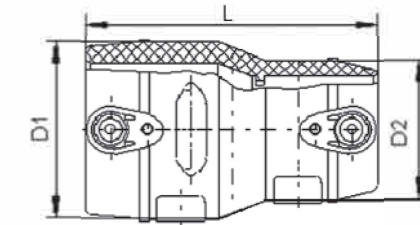
Материалы : PE100 PE100RC
Стандарты :ISO4437-3 ISO4427-3 EN12201-3 ISO22391-3

Артикул	Размер (mm)	SDR	Pcs/Box	L	L1	D
EFL925A	25×90°	11	250	72	36	38
EFL932A	32×90°	11	160	86	40	47
EFL940A	40×90°	11	90	99	47	57
EFL950A	50×90°	11	60	116	50	66
EFL963A	63×90°	11	40	127	48	74
EFL975A	75×90°	11	23	147	61	94
EFL990A	90×90°	11	15	178	70	112
EFL9110A	110×90°	11	7	221	80	136
EFL9125A	125×90°	11	7	212	70	151
EFL9140A	140×90°	11	4	234	78	172
EFL9160A	160×90°	11	3	291	89	195
EFL9180A	180×90°	11	2	321	107	216
EFL9200A	200×90°	11	2	345	96	242
EFL9250A	250×90°	11	1	400	107	301
EFL9315A	315×90°	11	1	479	123	377



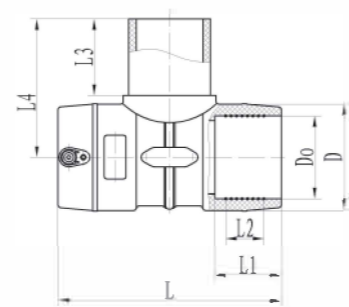
Материалы: PE100 PE100RC
Стандарты: ISO4437-3 ISO4427-3 EN12201-3 ISO22391-3

Артикул	Размер (mm)	SDR	Pcs/Box	L	L1	D
EFL440A	40×45°	11	90	120	43	52
EFL450A	50×45°	11	60	149	53	60
EFL463A	63×45°	11	40	154	59	75
EFL475A	75×45°	11	23	183	63	94
EFL490A	90×45°	11	15	210	76	108
EFL4110A	110×45°	11	8	246	81	133
EFL4125A	125×45°	11	8	260	75	156
EFL4140A	140×45°	11	6	290	78	172
EFL4160A	160×45°	11	3	300	90	191
EFL4180A	180×45°	11	3	330	107	216
EFL4200A	200×45°	11	2	360	115	248
EFL4250A	250×45°	11	1	425	110	300
EFL4315A	315×45°	11	1	502	125	382



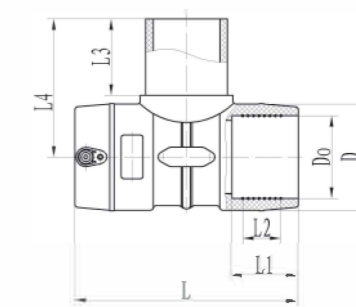
Материалы: PE100 PE100RC
Стандарты: ISO4437-3 ISO4427-3 EN12201-3 ISO22391-3

Артикул	Размер (mm)	SDR	Pcs/Box	L	D1	D2
EFR3220A	32-20	11	150	81	40	28
EFR3225A	32-25	11	150	81	40	34
EFT4025A	40-25	11	220	98	40	34
EFR4032A	40-32	11	220	98	50	43
EFR5025A	50-25	11	100	110	50	43
EFR5032A	50-32	11	100	110	62	42
EFR5040A	50-40	11	100	110	64	51
EFR6325A	63-25	11	70	124	50	43
EFR6332A	63-32	11	70	124	79	43
EFR6340A	63-40	11	70	123	79	51
EFR6350A	63-50	11	60	124	79	64
EFR7563A	75-63	11	36	145	92	78
EFR9063A	90-63	11	24	137	106	79
EFR9075A	90-75	11	24	159	109	92
EFR11063A	110-63	11	16	155	130	74
EFR11075A	110-75	11	16	181	133	107
EFR11090A	110-90	11	16	180	134	109
EFR12590A	125-90	11	10	203	153	110
EFR16090A	160-90	11	8	214	191	128
EFR160110A	160-110	11	8	215	191	130
EFR200110A	200-110	11	8	206	234	131
EFR250160A	250-160	11	4	307	304	196
EFR315160A	315-160	11	2	293	384	198
EFR315200A	315-200	11	2	269	318	246
EFR315250A	315-250	11	2	222	350	260



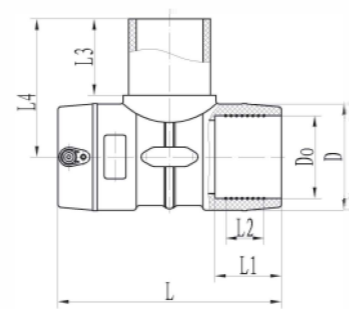
Материалы: PE100 PE100RC
Стандарты: ISO4437-3 ISO4427-3 EN12201-3 ISO22391-3

Артикул	Размер (mm)	SDR	Pcs/Box	L	L4	D
EFT25A	25-25-25	11	200	119	69	36
EFT32A	32-32-32	11	180	115	72	42
EFT40A	40-40-40	11	100	145	86	52
EFT50A	50-50-50	11	40	175	100	65
EFT63A	63-63-63	11	25	185	115	80
EFT75A	75-75-75	11	16	205	125	92
EFT90A	90-90-90	11	12	234	144	110
EFT110A	110-110-110	11	6	272	157	132
EFT125A	125-125-125	11	4	242	160	152
EFT160A	160-160-160	11	2	337	203	189
EFT250A	250-250-250	11	1	460	310	200
EFT315A	315-315-315	11	1	520	378	384



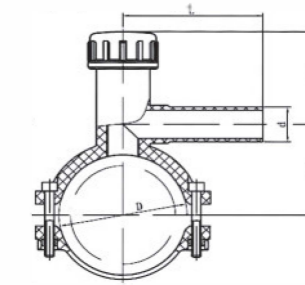
Материалы: PE100 PE100RC
Стандарты: ISO4437-3 ISO4427-3 EN12201-3 ISO22391-3

Артикул	Размер (mm)	SDR	Pcs/Box	L	L4	D
EFT2520A	25-20-25	11	200	115	74	43
EFT3225A	32-25-32	11	180	145	81	51
EFT4025A	40-25-40	11	100	145	82	53
EFT4032A	40-32-40	11	100	173	96	64
EFT5032A	50-32-50	11	40	174	95	64
EFT5040A	50-40-50	11	40	174	117	64
EFT6332A	63-32-63	11	40	150	101	75
EFT6340A	63-40-63	11	25	195	117	76
EFT6350A	63-50-63	11	25	195	125	76
EFT7532A	75-32-75	11	21	204	129	93
EFT7550A	75-50-75	11	16	205	125	92
EFT7563A	75-63-75	11	16	201	123	109
EFT9040A	90-40-90	11	15	200	126	109
EFT9050A	90-50-90	11	15	200	125	109
EFT9063A	90-63-90	11	15	233	141	111
EFT9075A	90-75-90	11	12	224	132	132
EFT11040A	110-40-110	11	10	223	135	132
EFT11050A	110-50-110	11	10	223	135	134
EFT11063A	110-63-110	11	10	272	156	134
EFT11075A	110-75-110	11	6	272	155	134
EFT11090A	110-90-110	11	6	182	136	152



Материалы: PE100 PE100RC
Стандарты: ISO4437-3 ISO4427-3 EN12201-3 ISO22391-3

Артикул	Размер (mm)	SDR	Pcs/Box	L	L4	D
EFT12540A	125-40-125	11	10	182	136	152
EFT12550A	125-50-125	11	10	182	136	152
EFT2563A	125-63-125	11	10	182	136	152
EFT12575A	125-75-125	11	8	201	154	152
EFT12590A	125-90-125	11	8	201	155	152
EFT16050A	160-50-160	11	8	287	195	194
EFT16063A	160-63-160	11	3	226	167	186
EFT16090A	160-90-160	11	3	287	195	194
EFT160110A	160-110-160	11	3	288	196	192
EFT20063A	200-63-200	11	2	297	196	243
EFT20090A	200-90-200	11	2	298	218	240
EFT200110A	200-110-200	11	2	297	220	241
EFT250160A	250-160-250	11	1	382	285	300
EFT315160A	315-160-315	11	1	414	211	383



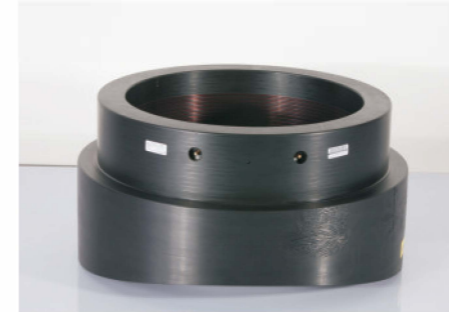
Материалы: PE100 PE100RC
Стандарты: ISO4437-3 ISO4427-3 EN12201-3 ISO22391-3

dn	Dn	63	75	90	110	125	140	160	180	200	225	250	280	315	355	400
20mm		✓	✓	✓	✓	✓	✓	✓	✓	✓	✓	✓	✓	✓	✓	✓
25mm		✓	✓	✓	✓	✓	✓	✓	✓	✓	✓	✓	✓	✓	✓	✓
32mm		✓	✓	✓	✓	✓	✓	✓	✓	✓	✓	✓	✓	✓	✓	✓
40mm					✓	✓	✓	✓	✓	✓	✓	✓	✓	✓	✓	✓
50mm					✓	✓	✓	✓	✓	✓	✓	✓	✓	✓	✓	✓
63mm					✓	✓	✓	✓	✓	✓	✓	✓	✓	✓	✓	✓



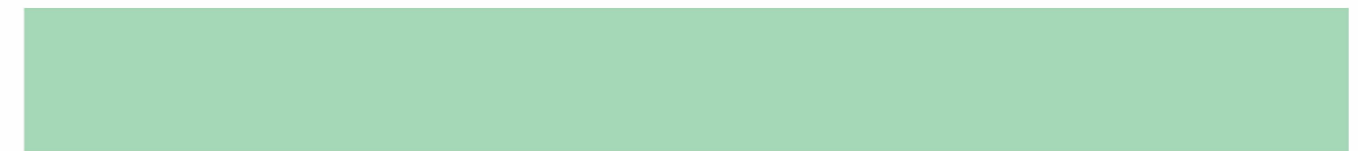
Материалы: PE100 PE100RC
Стандарты: ISO4437-3 ISO4427-3 EN12201-3 ISO22391-3

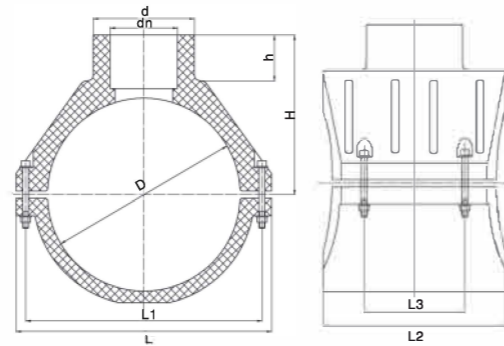
dn	Dn	90	110	125	140	160	180	200	225	250	280	315	355	400	450	500	560	630	710	
32mm		✓	✓	✓	✓	✓	✓	✓	✓	✓	✓	✓	✓	✓	✓	✓	✓	✓	✓	✓
40mm		✓	✓	✓	✓	✓	✓	✓	✓	✓	✓	✓	✓	✓	✓	✓	✓	✓	✓	✓
50mm		✓	✓	✓	✓	✓	✓	✓	✓	✓	✓	✓	✓	✓	✓	✓	✓	✓	✓	✓
63mm		✓	✓	✓	✓	✓	✓	✓	✓	✓	✓	✓	✓	✓	✓	✓	✓	✓	✓	✓
75mm						✓	✓	✓	✓	✓	✓	✓	✓	✓	✓	✓	✓	✓	✓	✓
90mm						✓	✓	✓	✓	✓	✓	✓	✓	✓	✓	✓	✓	✓	✓	✓
110mm						✓	✓	✓	✓	✓	✓	✓	✓	✓	✓	✓	✓	✓	✓	✓
125mm							✓	✓	✓	✓	✓	✓	✓	✓	✓	✓	✓	✓	✓	✓
140mm															✓	✓	✓	✓	✓	✓
160mm															✓	✓	✓	✓	✓	✓
180mm															✓	✓	✓	✓	✓	✓
200mm															✓	✓	✓	✓	✓	✓



Материалы: PE100 PE100RC
Стандарты: ISO4427-3 EN12201-3

dn	Dn	250	280	315	355	400	450	500	560	630	710	800	900	1000	1100	1200	1400	1600	
110mm			✓	✓	✓	✓	✓	✓	✓	✓	✓	✓	✓	✓	✓	✓	✓	✓	✓
125mm			✓	✓	✓	✓	✓	✓	✓	✓	✓	✓	✓	✓	✓	✓	✓	✓	✓
140mm			✓	✓	✓	✓	✓	✓	✓	✓	✓	✓	✓	✓	✓	✓	✓	✓	✓
160mm		✓	✓	✓	✓	✓	✓	✓	✓	✓	✓	✓	✓	✓	✓	✓	✓	✓	✓
180mm					✓	✓	✓	✓	✓	✓	✓	✓	✓	✓	✓	✓	✓	✓	✓
200mm						✓	✓	✓	✓	✓	✓	✓	✓	✓	✓	✓	✓	✓	✓
225mm							✓	✓	✓	✓	✓	✓	✓	✓	✓	✓	✓	✓	✓
250mm								✓	✓	✓	✓	✓	✓	✓	✓	✓	✓	✓	✓
280mm									✓	✓	✓	✓	✓	✓	✓	✓	✓	✓	✓
315mm										✓	✓	✓	✓	✓	✓	✓	✓	✓	✓
355mm											✓	✓	✓	✓	✓	✓	✓	✓	✓
400mm												✓	✓	✓	✓	✓	✓	✓	✓
450mm													✓	✓	✓	✓	✓	✓	✓
500mm														✓	✓	✓	✓	✓	✓
560mm															✓	✓	✓	✓	✓
630mm																✓	✓	✓	✓





Материалы : PE100 PE100RC

Стандарты: ISO4437-3 ISO4427-3 EN12201-3

D	dn	d	H	h	L	L1	L2	L3
250	110	160	235	95	345	315	285	130
250	160	210	247	95	345	315	285	130
315	110	160	268	95	442	402	320	150
315	160	210	280	95	442	402	320	150
315	163	200	280	135	442	402	320	150
355	110	160	293	95	480	440	320	150
355	160	210	305	95	480	440	320	150
355	163	200	305	135	480	440	320	150
400	110	160	319	95	530	490	380	210
400	160	210	331	95	530	490	380	210
400	163	200	331	135	530	490	380	210

